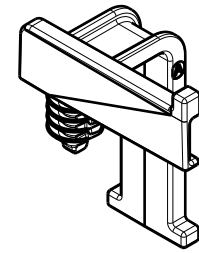
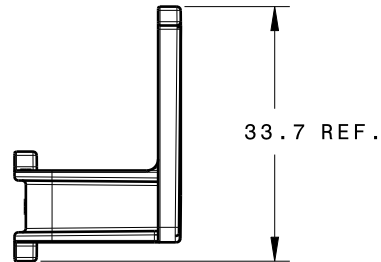


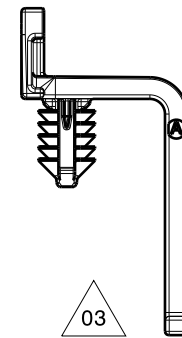
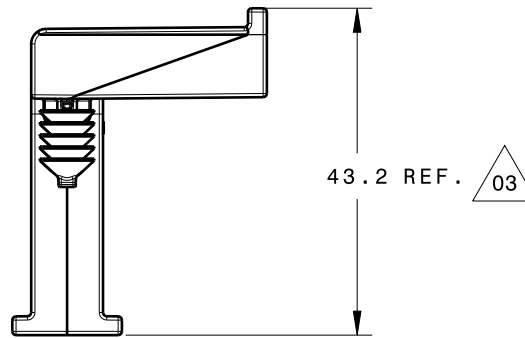
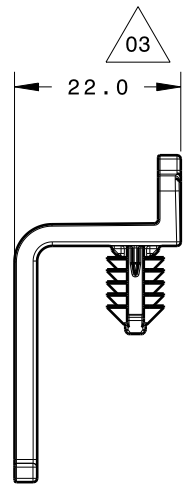
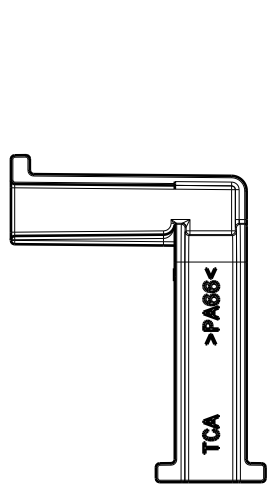
REFERENCE:

PERFORMANCE REQUIREMENTS AT DRY AS MOLDED:

1. SHEET METAL THICKNESS RANGE: 0.60mm - 5.75mm
2. CIRCULAR HOLE SIZE: 6.5 +/- 0.4mm
3. APPLICABLE HEX HOLE: 6.35mm +/- 0.25mm



Isometric view



INVENTORS

HellermannTyton

ALL PROPRIETARY RIGHTS IN THE SUBJECT MATTER SHOWN ON THIS DRAWING ARE EXCLUSIVE PROPERTY OF HELLERMANN TYTON

name	date	city state
S. ADAMS	5/8/12	MENOMONEE FALLS, WI.

REVISIONS

REV	level	date	by	part level
A		10/5/12	KVH	A

DIMENSIONS

TOLERANCES	units
.XXXX = ± 0.25	millimeters
.XXX = ± 0.50	
.XX = ± 1.00	
.X = ± 2.00	
∠ = ± 1.00	
unless otherwise specified	

PART

number	SOC13FT6LGR	phase	PRODUCTION
name	STEPPED TAPE CLIP WITH 6.5MM FIR TREE		
material	PA66HIRHS COLOR: BLACK		

DRAWING

FORMAT	AH	CAD	CATIA V5	SCALE	1:1
VERSION	J				
	A- SIZE (landscape)_N01		previous drawing number		
drawn	S. ADAMS	checked	K. VAN HULST	approved	
	5/8/12		5/8/12		
type	CUSTOMER		sheet 1 of 1		
number	12-0308-001-CSU				